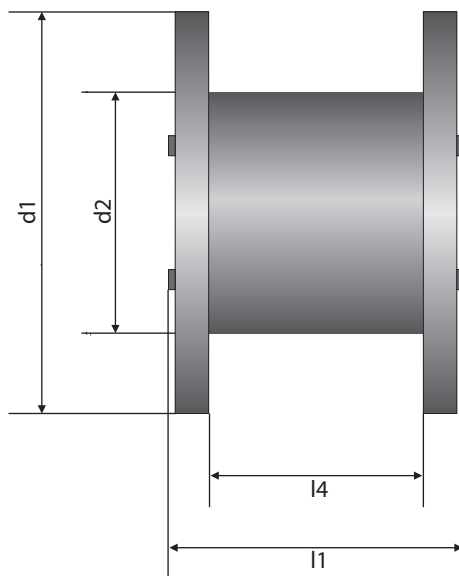


KTG - CABLE DRUMS

DRUM-TABLE



Nominal size of drum	d1 Flange-Ø	d2 Core-Ø	l1 Width overall	l4 Width internal	Approx. drum weight	Max. carrying capacity
	mm	mm	mm	mm	kg	kg
plastic drums						
050	500	150	456	404	4	100
070	710	355	510	400	15	250
080	800	400	510	400	16	350
090	900	450	680	560	23	400
100	1000	500	704	560	32	500
wooden drums						
051	500	150	470	410	8	100
071	710	355	520	400	25	250
081	800	400	520	400	31	400
091	900	450	690	560	47	750
101	1000	500	710	560	71	900
121	1250	630	890	670	144	1700
141	1400	710	890	670	175	2000
161	1600	800	1100	850	280	3000
181	1800	1000	1100	840	380	4000
wooden drums with iron hooping						
120	1250	630	890	670	165	170



KTG - CABLE DRUMS

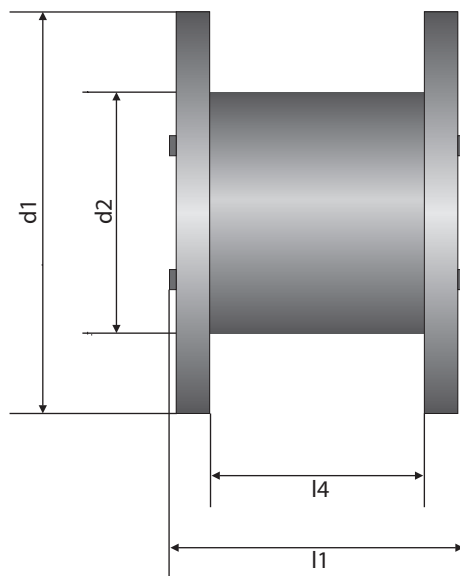
CAPACITY (windable cable length in metres)

Ø Cable mm	Nominal size of KTG - cable drum													Ø Cable mm
	051	071	081	091	101	121	141	161	181	201	221	251	281	
3	5324													3
4	2466													4
5	1578													5
6	1508	2328	3080	5679										6
7	1105	1706	2257	4165	5286									7
8	844	1303	1724	3183	4040									8
9	665	1026	1358	2510	3186									9
10	537	829	1097	2029	2576	5038								10
11	443	683	904	1674	2125	4157	5296							11
12	371	573	758	1404	1782	3488	4444							12
13	315	487	644	1194	1516	2967	3780							13
14	271	418	554	1028	1304	2555	3255	5595						14
15	235	364	481	893	1134	2222	2831	4868	5639					15
16	206	319	422	784	995	1950	2484	4274	4959					16
17	182	281	373	693	880	1724	2197	3781	4380					17
18	162	250	331	617	783	1536	1957	3368	3902	5287				18
19		224	297	553	701	1376	1753	3019	3498	4740				19
20		202	267	498	632	1240	1580	2722	3153	4274	5949			20
21		179	238	444	565	1112	1419	2448	2836	3845	5357			21
22		160	212	398	507	1002	1279	2211	2563	3474	4845	5857		22
23		143	191	359	458	906	1159	2006	2325	3153	4401	5322		23
24		128	172	324	414	823	1053	1826	2118	2871	4012	4854		24
25		115	155	294	376	750	961	1669	1935	2624	3670	4443		25
26		104	140	267	342	685	879	1529	1774	2406	3368	4079	5869	26
27			128	243	313	625	807	1406	1631	2212	3100	3757	5409	27
28			116	223	287	577	742	1296	1504	2039	2861	3469	4998	28
29			106	204	263	532	685	1197	1390	1885	2647	3211	4630	29
30				187	242	491	633	1109	1288	1746	2454	2980	4300	30
31				172	223	454	587	1029	1196	1612	2281	2771	4002	31
32				159	206	424	545	957	1112	1508	2125	2582	3732	32
33				147	191	391	507	892	1037	1406	1982	2411	3487	33
34				136	177	364	472	833	968	1313	1853	2255	3265	34
35				126	164	340	441	779	906	1228	1735	2112	6061	35
36				117	153	317	412	730	848	1150	1627	1982	2875	36
37				108	142	296	386	684	796	1079	1529	1863	2704	37
38				101	133	277	362	643	748	1014	1438	1753	2548	38
39					124	260	339	605	704	954	1354	1653	2403	39
40					116	244	319	570	663	899	1277	1560	2270	40
41					108	229	300	537	625	848	1206	1473	2146	41
42					101	216	283	507	591	801	1140	1394	2032	42
43						203	267	479	558	757	1079	1320	1926	43
44						192	252	453	528	716	1022	1251	1827	44
45						181	238	429	500	678	969	1187	1736	45
46						171	225	407	474	643	920	1128	1650	46
47						161	213	386	450	610	874	1072	1570	47
48						153	202	367	428	579	813	1020	1495	48
49						145	192	331	406	551	791	971	1425	49
50						137	182	315	387	524	753	926	1360	50



NON-RETURNABLE DRUMS

DRUM-TABLE



Nominal size of drum	d1 Flange-Ø	d2 Core-Ø	l1 Width overall	l4 Width internal	Weight kg
	mm	mm	mm	mm	
plywood drums					
040	400	150	420	404	3.3
050	500	150	420	404	3.5
060	600	150	420	404	6.0
076	755	315	420	396	9.3
wooden drums					
70	710	355	502	400	24.0
80	800	400	502	400	30.0
90	900	450	662	560	40.0
100	1000	500	662	560	54.0
120	1250	630	830	710	140.0
140	1400	710	860	710	170.0
160	1600	800	1050	900	260.0
180	1800	1000	1100	840	360.0
200	2000	1250	1350	1045	550.0
220	2240	1400	1450	1140	710.0
250	2500	1400	1450	1140	875.0



NON-RETURNABLE DRUMS

CAPACITY (windable cable length in metres)

Ø Cable mm	Nominal size of cable drum												Ø Cable mm
	EW40	EW50	EW60	EW76	NG8	NG9	NG10	NG12	NG14	NG16	NG18	NG20	
2	5737												2
3	2550	6181	9615										3
4	1434	3477	5409	6246									4
5	756	1833	2851	3998	4800								5
6	525	1273	1980	2776	3300	5300							6
7	386	935	1454	2040	2400	3900							7
8	295	700	1100	1562	1800	2900							8
9	233	566	880	1200	1400	2300	2700						9
10	176	425	662	928	1100	1700	2100						10
11		352	547	767	900	1400	1800						11
12		295	460	644	780	1200	1500	2600					12
13		252	392	549	660	1000	1200	2200					13
14		217	338	473	570	900	1100	1900					14
15		189	294	412	500	780	950	1600	2700				15
16				363		660	850	1400	2400				16
17				321		570	750	1300	2100				17
18				286		500	670	1100	1900				18
19				257			600	1000	1700				19
20				232			500	940	1500	2200	3300		20
21								850	1400	2000	3000		21
22								780	1200	1800	2700		22
23								700	1100	1600	2500		23
24								650	1000	1500	2300		24
25								600	950	1400	2000		25
26								560	900	1300	1900		26
27								500	850	1200	1800		27
28									750	1100	1700		28
29									700	1000	1600		29
30									680	980	1500		30
31									600	900	1400	2000	31
32									550	850	1300	1970	32
33									500	800	1200	1850	33
34										750	1100	1750	34
35										700	1150	1650	35
36										680	1000	1550	36
37										640	980	1450	37
38										600	930	1400	38
39										580	890	1300	39
40										550	840	1250	40
41										520	800	1200	41
42										500	760	1150	42
43											730	1100	43
44											700	1000	44
45											660	990	45
46											640	950	46
47											610	910	47
48											580	870	48
49											560	840	49
50											530	800	50

